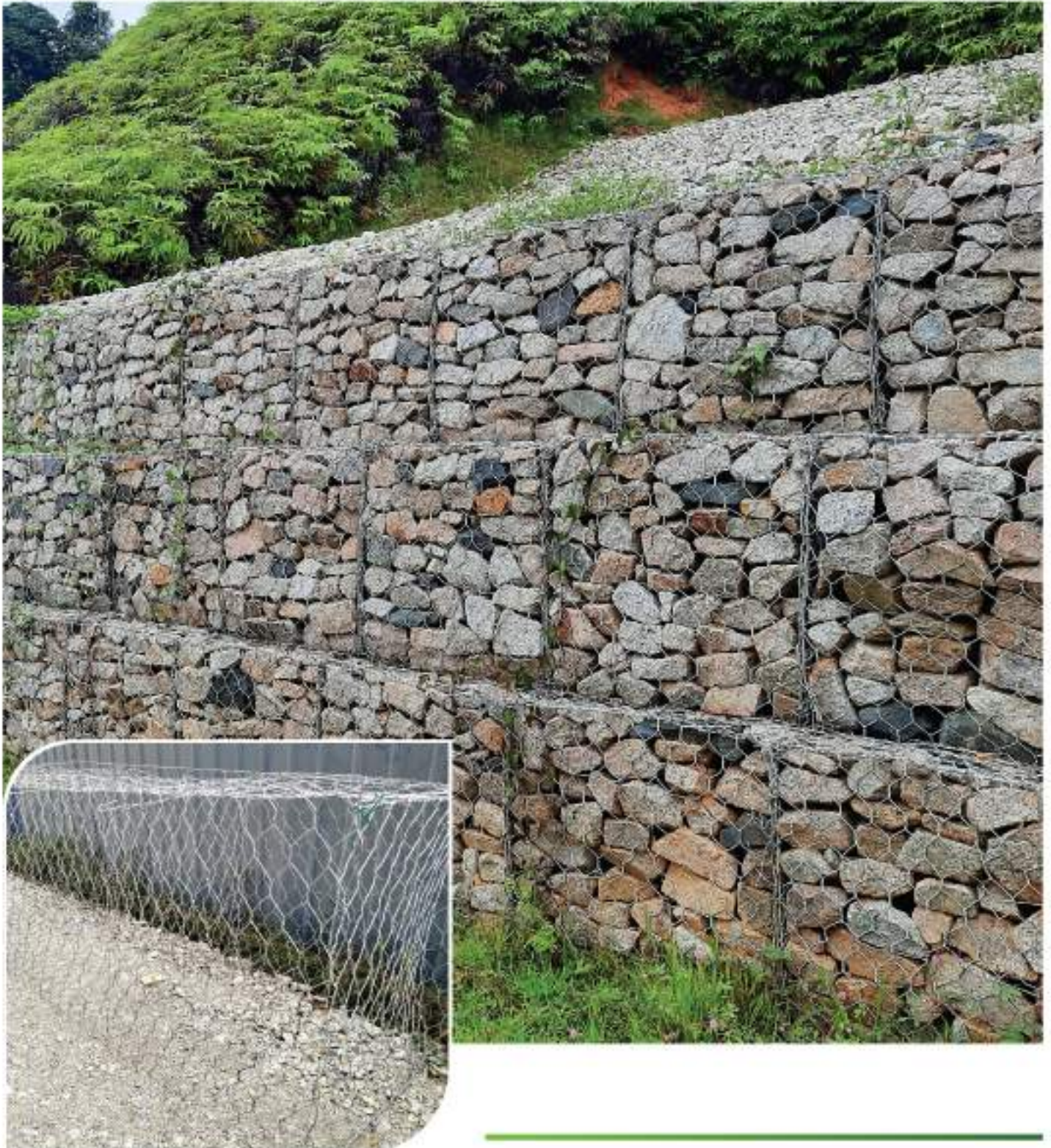

ECOSOUTH SDN. BHD. ECOSOUTH ENTERPRISE

Ecosouth



Company Profile



Ecosouth Sdn Bhd / Ecosouth Enterprise was established in Year 2019, based in Batu Pahat, Johor. Ecosouth Sdn Bhd core business is manufacturing gabion (DT) and related products to Jabatan Pengairan dan Saliran (JPS) contractor.

The company policy of Ecosouth Sdn Bhd is supply gabion product with **high cost-performance ratio (CP)**.

Ecosouth Sdn Bhd is not merely material supplier but rather solution provider in areas of erosion control, river bank protection, retaining wall, channel lining and many more.

Ecosouth Sdn Bhd is also aiming to achieve ISO certification & National Mark of Brand Malaysia within near future.

In house research and development activities and joint activities with local institute are ongoing to achieve product improvement.

Ecosouth Sdn Bhd also aim to expand their overseas coverage to Asean and Australia Pacific within near future.

Ecosouth Gabion is non-rigid structure constructed of double twisted (DT) or also known as triple twisted hexagonal mesh cages which is complying to British Standard and ASTM standard.

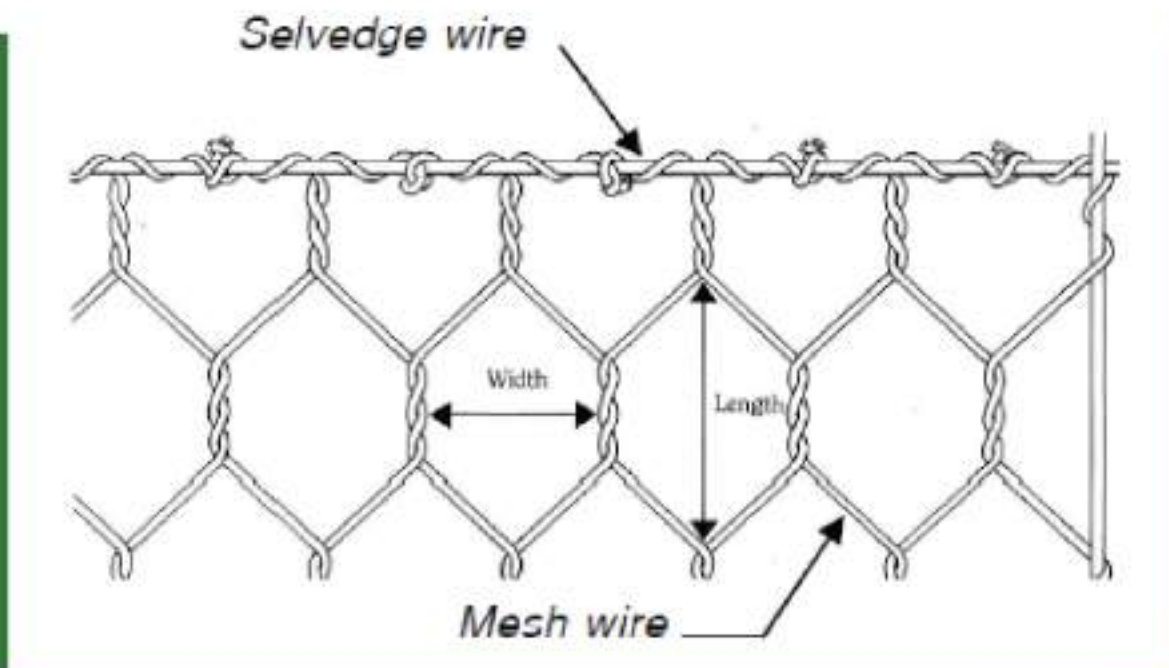
Ecosouth Revert Mattress is a special form of gabion with plan areas especially greater than its thickness.

All the double twisted (DT) product are fabricated with wire complying to MS407, BS443 & BS1052 standards. In case of use in aggressive environment, it is further extruded with PVC coating and aluminized coating.

Nominal Mesh Size

Mesh Type	Nominal Dimension
8 x 10	+/- 10mm
6 x 8	+/- 8mm

REMARK: ALL EXPOSE PANEL SHALL TWISTED IN VERTICAL/ PERPENDICULAR ORIENTATION IN SHORT "VERTICAL MESH"



ACCORDANCE TO BS10233-3

Typical Ecosouth Gabion Dimension

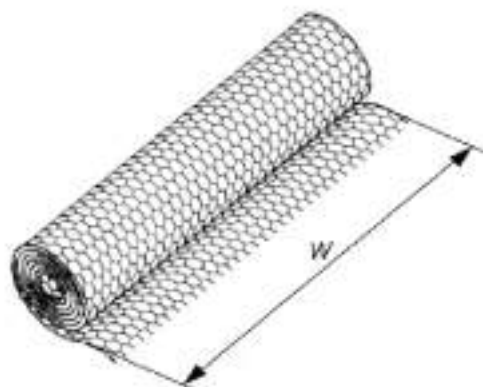
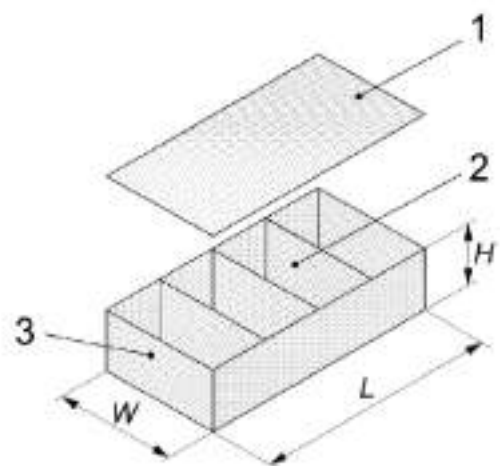
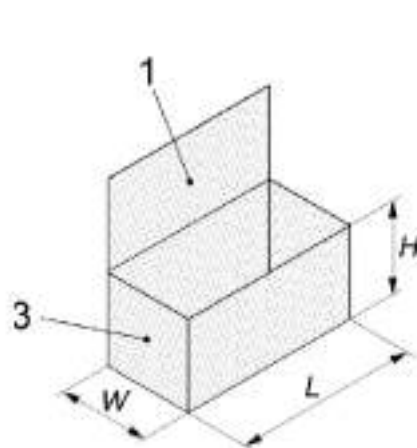
Length, m	Width, m	Height, m
1	1	1
2	1	1
3	1	1
1	1	0.5
2	1	0.5
3	1	0.5
1	1.5	1
2	1.5	1
3	1.5	1

Typical Ecosouth Revert Mattress Dimension

Length, m	Width, m	Height, m	Length, m	Width, m	Height, m
3	2	0.17	6	2	0.17
3	2	0.17	6	2	0.17
3	2	0.17	6	2	0.17
3	2	0.23	6	2	0.23
3	2	0.23	6	2	0.23
3	2	0.23	6	2	0.23
3	2	0.23	6	2	0.23
3	2	0.3	6	2	0.3
3	2	0.3	6	2	0.3
3	2	0.3	6	2	0.3

Key

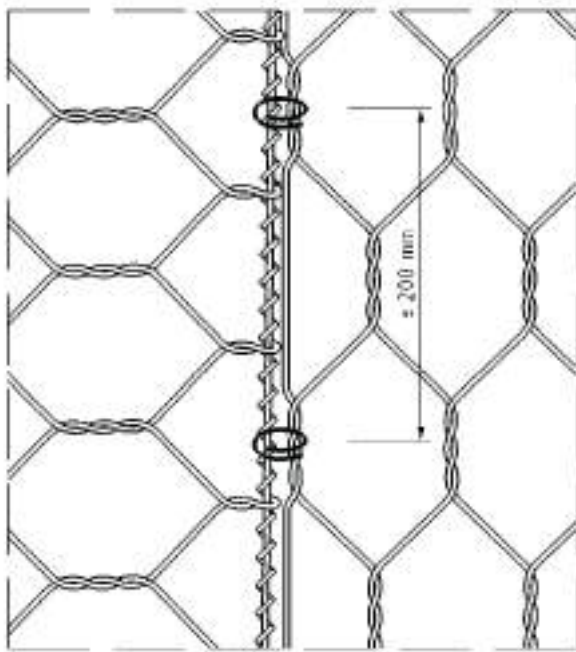
- 1. Lid
- 2. Diaphragms
- 3. End Panel
- H Height
- L Length
- W Width



Hexagonal Steel Wire Mesh in Rolls

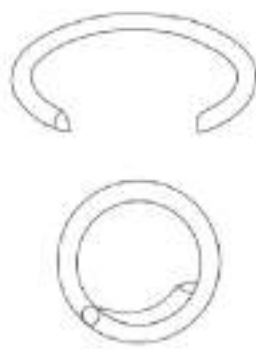
mesh to be used for rockfall and slope protections.

The netting is a longitudinal border composed of a single selvedge wire: this wire has a greater diameter than that used for the net.



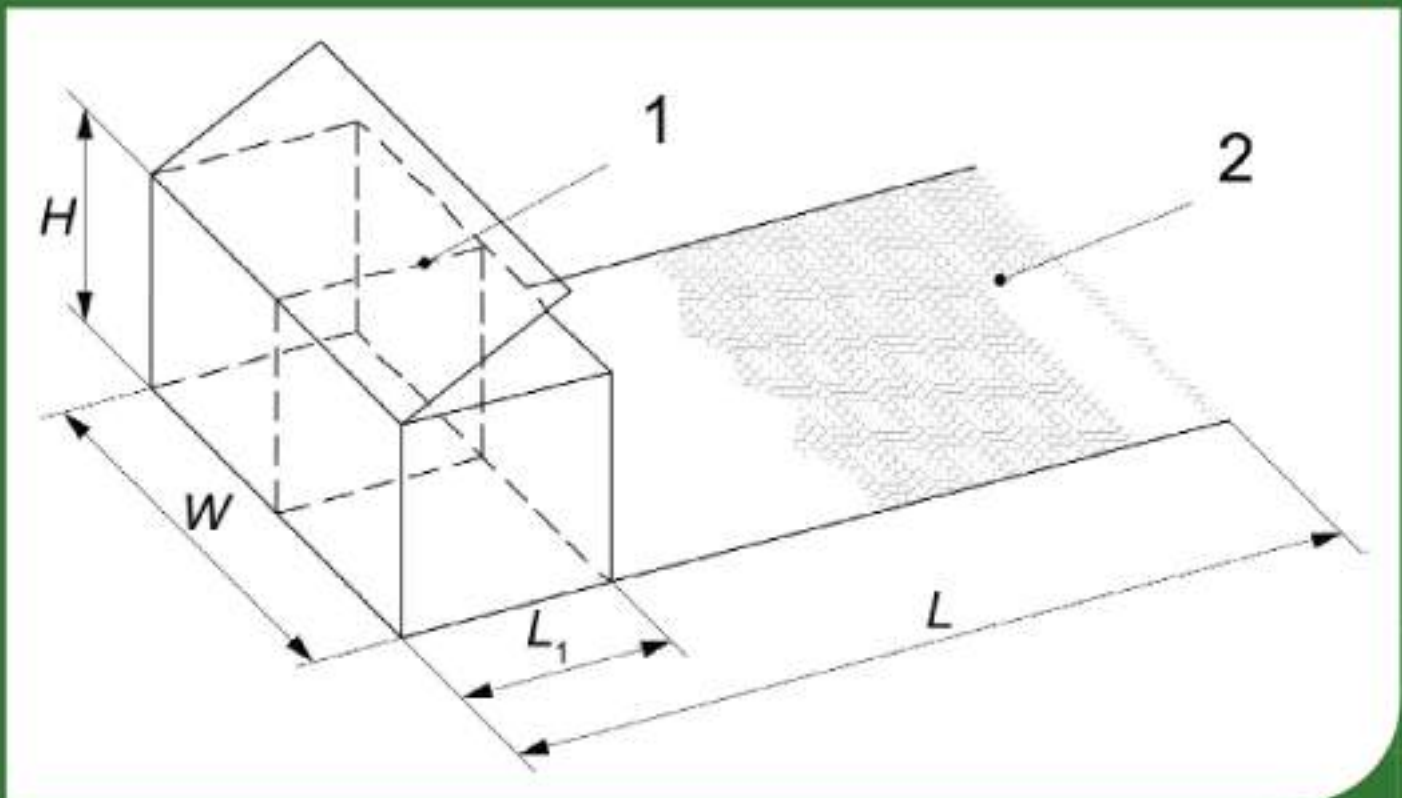
Gabion Ring

C-shaped ring, made from very high resistance aluminised alloy coated steel wire or stainless steel wire.
 (Tensile Strength > 1700mpa)



Gabion Reinforced Earth System, GRES™

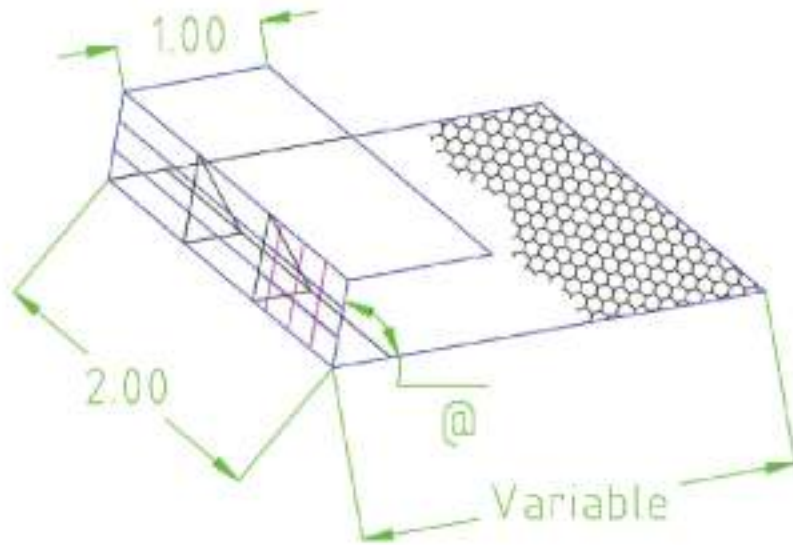
For structures with vertical facing, units are made with a hexagonal wire mesh continuous base panel for the reinforcement and the facing portion of the structure.



Key

- | | |
|---------------|----------------------------|
| 1. Diaphragms | L Length |
| 2. Base Panel | L1 Thickness of The Facing |
| H Height | W Width |

Gabion Reinforced Earth System, GRES™ - S



For structures with a inclined vegetative facing, units are made with a hexagonal wire mesh base reinforcement, provided (or made) with a welded mesh panel for facing, a geotextile for soil retention and metallic ties for installation procedures and reinforcement bar.



ADVANTAGES

of Vertical Mesh™ Gabion over Conventional Type of Orientation

- ✓ Higher Facial Bulging Resistance.
- ✓ Ease On-site Installation, less bracing efforts.
- ✓ Neat facial.
- ✓ Lesser load concentration at single point.
- ✓ As conclusion, faster overall installation which means save cost.

CONVENTIONAL TWISTED GABION

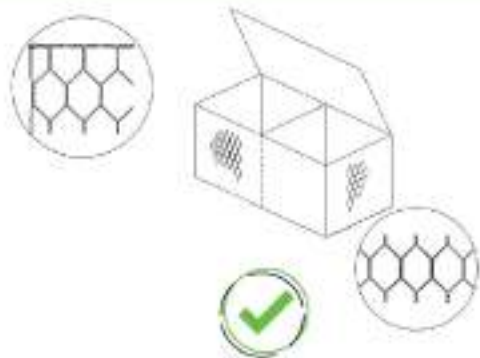


Easy bulging,
need more bracing effort



Result to pre-mature failure due to
load concentration at single point.

VERTICAL MESH™ GABION



All mesh are twisted in
vertical orientation



Much better bulging resistant
Less bracing wire & efforts



Neat, proven faster
installation which
mean more cost saving.



ECOSOUTH SDN.BHD. (1450851-V)
ECOSOUTH ENTERPRISE (JR0101517-P)

18, Jalan Sri Sulong 23/A,
Taman Industri Sri Sulong,
83500 Parit Sulong, Batu Pahat.

Email:
ecosouth.enterprise@gmail.com
Contact Details:
017-7777 959 (Whatsapp / Wechat)